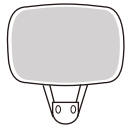




COMPONENTS



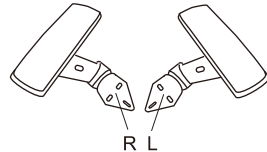
A (1 pc)



B (1 pc)

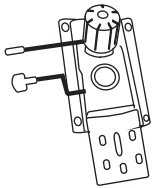


C (1 pc)



D (2 pcs)

R and L are marked inside.



E (1 pc)



F (1 pc)

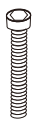


G (1 pc)



H (5 pcs)

HARDWARE



I (2 pcs)



J (3 pcs)



K (6 pcs)



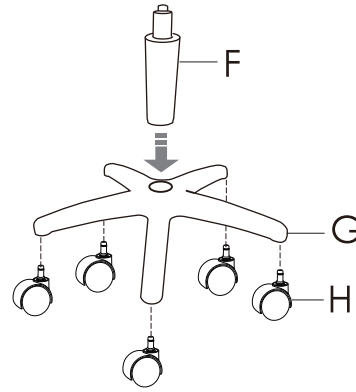
* see important note
L (4 pcs)

TOOLS

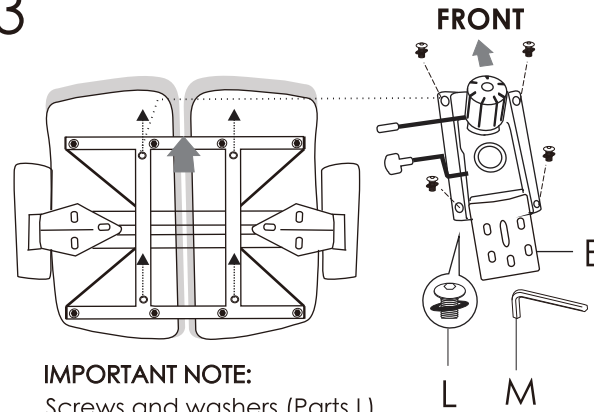


5mm
M (1 pc)

1



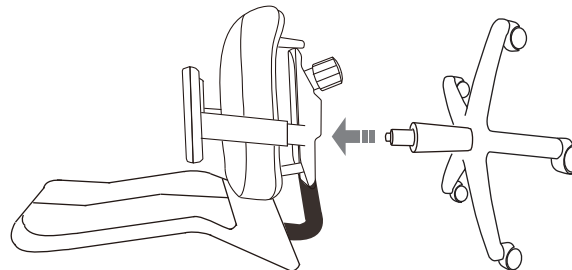
3



IMPORTANT NOTE:

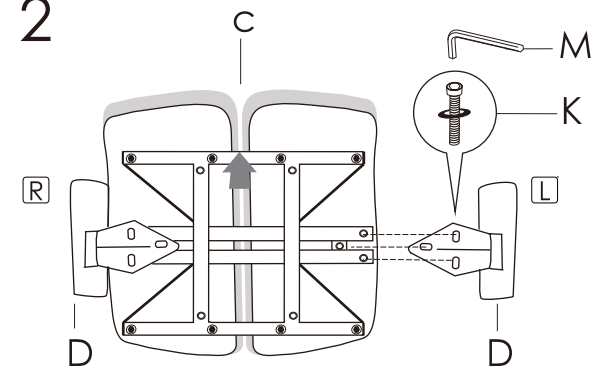
Screws and washers (Parts L) are assembled into the underside of the seat (Part C). Remove screws and washers from seat and then use to attach Part E to Part C.

5

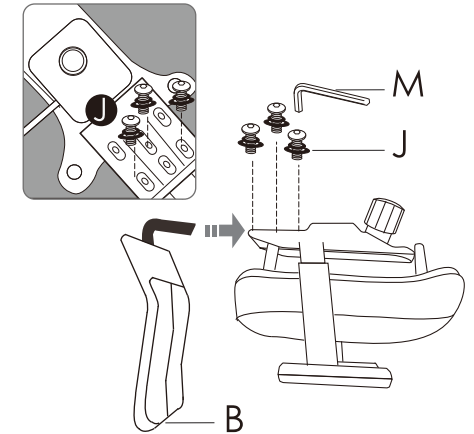


Lay the chair (step 4) down on its side. Attach the base (step 1) to the chair (step 4). Then turn the chair upright.

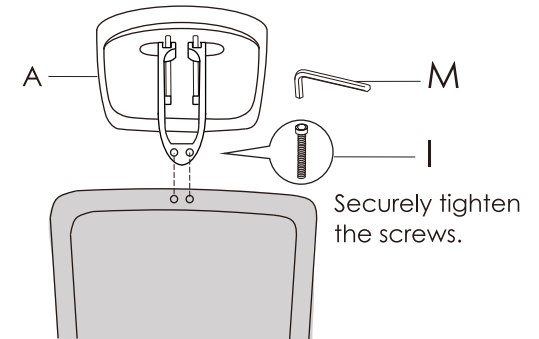
2



4



6



Securely tighten the screws.